

6

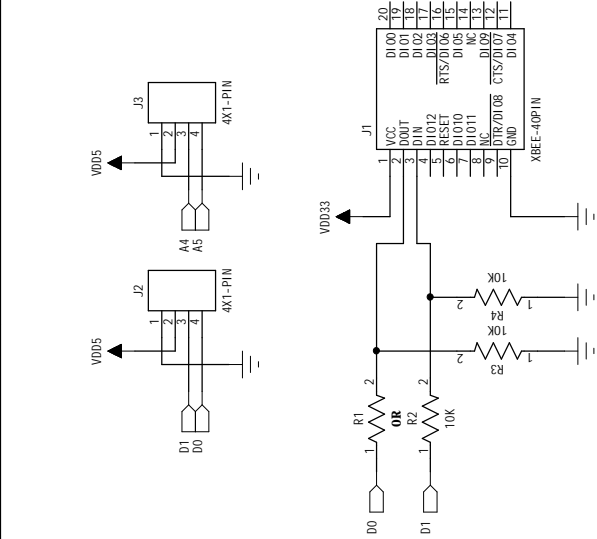
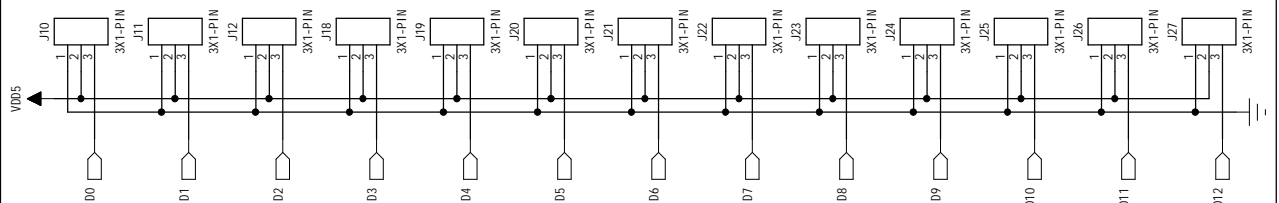
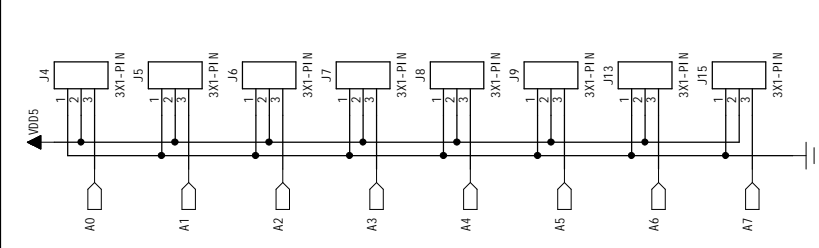
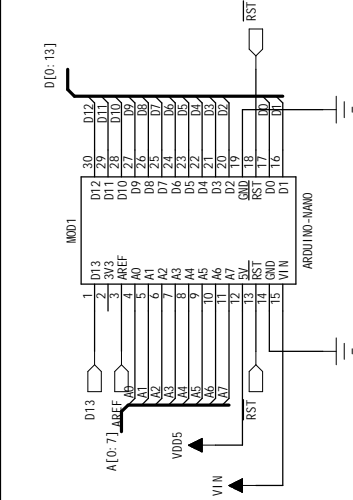
5

4

3

2

1



D C B A

Company:	
Project Name:	Rev:
Sheet Name: <undefined>	
Designed by	
File Name: nano-IO-shield-1.0	
Date :	Page Num: 1 of 1

D

C

B

A

